

Advantech VUE Display Series

Smart Industrial Design Fulfills
A Diverse Range of Applications

✓ Digital Signage

✓ Industrial Grade Panel Mount Monitor

✓ Medical/Industrial Grade Monitor



Digital Signage

Model	VUE-5550		VUE-5860	
Description	55" IR Touch Digital Signage		86" Ultra HD Digital Signage	
Features	7 days by 18 hours operating time		7 days by 18 hours operating time	
	Support landscape and portrait		Landscape only	
	Support DC 90-144V base on AC-in design		4-side even bezel (15.2 mm)	
	Touch point by 20 points		3840 x 2160 resolution	
Display	Active Screen Size	54.6"	86"	
	Resolution	1920 x 1080 (FHD)	3840 x 2160 (UHD)	
	Colors	8 bit (16.7M)	10 bit (1.06B)	
	Brightness	450 nits	410 nits	
	Contrast Ratio	1100:1 (Typ.)	1200:1 (Typ.)	
	Aspect Ratio	16:9	16:9	
	Viewing Angle	89° / 89° / 89° / 89°	89° / 89° / 89° / 89°	
	Backlight Life (hours)	60,000 (Typ.)	50,000 (Typ.)	
Touch	Touch Type	Infrared Touch (IR)	-	
	Touch Function	10-Point Touch (USB type B interface)	-	
Connectivity	Input	Video	HDMI x 2, VGA share with DVI x 1, Display Port x 1	HDMI x 4, VGA x 1, Display Port x 1
		Audio	Mini Jack x 1	Mini Jack x 1
		Control	RS232 x 1, IR x 1, LAN x 1	RS232 x 1, IR x 1, LAN x 1
		Other slot/ports	USB x 2, Micro USB x 1, Micro SD Card x 1	USB x 1, Micro SD Card x 1
	Output	Video	Display Port x 1, DVI-I x 1	Display Port x 1, DVI-I x 1
		Audio	Mini Jack x 1	Mini Jack x 1
Control		RS232 x 1, IR x 1	RS232 x 1, IR x 1	
System	Internal Speaker	10W+10W	10W+10W	
	OS	Android 4.4.4	Android 5.0.1	
	CPU	Cortex A9	MSD95E1D	
	Control Function	IR Remote Control, RS232, LAN, Hot key	IR Remote Control, LAN, Hot key	
	Source Auto detect	Yes	Yes	
	Power Type	AC	AC	
Power	Power Input	100 - 240Vac, 50 - 60Hz, 2.5A	100 - 240Vac, 50 - 60Hz, 2.5A	
	Power Consumption	67 W	300 W	
	Environment	Operating	Temperature	5 ~ 40°C (Landscape), 5~35 (Portrait)
Humidity			20 -80 % (without condensation)	20 -80 % (without condensation)
Storage		Temperature	-20 ~ 60°C	-20 ~ 60°C
		Humidity	10 to 90%(without condensation)	10 to 90%(without condensation)
Mechanical Specification	Housing Material	Landscape/Portrait		Landscape
	VESA Compatibility	400 x 400 mm (15.7 x 15.7 in.)		400 x 600 mm (15.7 x 23.6 in.)
	Hand Hoder/Stand	Yes, with 2 hoders		Yes, with 8 hoders
	Bezel Width	T/L/R/B	29.2 mm (1.15 in.) Even bezel width	4-side even bezel by 15.15 mm (0.6 in.)
	Dimensions (W x H x D)	Physical without stand	1271 x 741 x 91.4 mm (50 x 29.2 x 3.6 in.)	1927.9 x 1098.9 x 85.9 mm (75.9 x 43.2 x 3.3 in.)
		Packing	1527 x 985 x 280 mm (60.11 x 38.8 x 11 in.)	2224 x 1427 x 373 mm (85.7 x 56.1 x 14.6 in.)
	Weight	Net	31.0 kg / 68.34 lb.	63.8 kg / 140.6 lb.
		Gross	39.6 kg / 87.3 lb.	83.0 kg / 182.9 lb.
Approbation	Certificates (AC power architecture)	BSMI,CB,CCC, CE, FCC,UL, EMF, EPA, E-standby, KC, MSIP, PSE, RCM, VCCI		BSMI,CB,CCC, CE, FCC,UL, EMF, EPA, E-standby, KC, MSIP, PSE, RCM, VCCI
	MTBF (hours)	78,740		50,087
Warranty	2-year (1-year for panel)		2-year (1-year for panel)	
Packing List	Power Cord (1.8M), VGA Cable (1.8M), HDMI Cable (1.8M), RS-232 Cable (1.8M), RS232 daisy chain cable (1.8M), Remote control, User manual (paper)			

Industrial Grade Panel Mount Monitor

Model	VUE-2101	VUE-2156	VUE-2215		
Description	10.1" PCAP Touch Panel Mount Monitor	15.6" PCAP Touch Panel Mount Monitor	21.5" PCAP Touch Panel Mount Monitor		
Features	Support 10-point touch function (PCAP)	Support 10-point touch function (PCAP)	Support 10-point touch function (PCAP)		
	Built-in rich I/O interfaces for diverse video connectivity	Built-in rich I/O interfaces for diverse video connectivity	Built-in rich I/O interfaces for diverse video connectivity		
	Easy to extend peripheral devices	Easy to extend peripheral devices	Easy to extend peripheral devices		
	Industrial-grade panel for durable use	Industrial-grade panel for durable use	Industrial-grade panel for durable use		
	Front IP65 water-proof rating	Front IP65 water-proof rating	Front IP65 water-proof rating		
Display	Active Screen Size	10.1 inch	15.6 inch	21.5 inch	
	Resolution	1280 x 800 (WXGA)	1920 x 1080 (FHD)	1920 x 1080 (FHD)	
	Brightness	500 nits	450 nits	250 nits	
	Contrast Ratio	1000:1 (Typ.)	800:1 (Typ.)	3000:1 (Typ.)	
	Aspect Ratio	16:10	16:9	16:9	
	Viewing Angle	85° / 85° / 85° / 85°	85° / 85° / 85° / 85°	89° / 89° / 89° / 89°	
	Backlight Life (hours)	50,000 (Typ.)	50,000 (Typ.)	40,000 (Typ.)	
Touch	Touch Type	Projected Capacitive Touch (PCAP)	Projected Capacitive Touch (PCAP)	Projected Capacitive Touch (PCAP)	
	Touch Function	10 points	10 points	10 points	
Connectivity	Video Input	VGA x 1, HDMI x 1, DVI x 1, DP x 1	VGA x 1, HDMI x 1, DVI x 1, DP x 1	VGA x 1, HDMI x 1, DVI x 1, DP x 1	
	Audio Input	Audio in x 1	Audio in x 1	Audio in x 1	
	Other slot/ports	USB3.0 x 2	USB3.0 x 2	USB3.0 x 2	
Control	OST Function	Hot key (ON/OFF, LIFT, RIGHT, MENU, AUTO)	Hot key (ON/OFF, LIFT, RIGHT, MENU, AUTO)	Hot key (ON/OFF, LIFT, RIGHT, MENU, AUTO)	
Power	Power Type	DC input, 19V Adaptor	DC input, 19V Adaptor	DC input, 19V Adaptor	
	Power Input	100-240VAc, 50-60Hz, 2.5A	100-240VAc, 50-60Hz, 2.5A	100-240VAc, 50-60Hz, 2.5A	
	Power Consumption	6.1 W	13.5 W	25 W	
Environment	Operating	Temperature	-20 ~ 70°C	-30 ~ 85 °C	0 ~ 50 °C
		Humidity	10 to 85 %	10 to 85 %	10 to 85 %
	Storage	Temperature	-30 ~ 80 °C	-40 ~ 90 °C	-20 ~ 60 °C
		Humidity	5 to 80 %	5 to 80 %	5 to 80 %
Mechanical Specification	Housing Material and Color	0.8 mm Aluminum, Black	0.8 mm Aluminum, Black	0.8 mm Aluminum, Black	
	VESA Compatibility	100 x 100 mm	100 x 100 mm	100 x 100 mm	
	Hand Hoder/Stand	No	No	No	
Approbation	Certificates (AC power architecture)	CE, CB, FCC, UL, CCC, BSMI	CE, CB, FCC, UL, CCC, BSMI	CE, CB, FCC, UL, CCC, BSMI	
Warranty		2-year (1-year for panel)	2-year (1-year for panel)	2-year (1-year for panel)	
Packing List		<ol style="list-style-type: none"> 1. Power Cord 2. Power Adaptor 3. VGA Cable 4. HDMI Cable 5. DisplayPort Cable 6. DVI Cable 7. USB Cable x 1 8. USB Type-B Cable for Touch x 1 9. User manual (paper) 	<ol style="list-style-type: none"> 1. Power Cord 2. Power Adaptor 3. VGA Cable 4. HDMI Cable 5. DisplayPort Cable 6. DVI Cable 7. USB Cable x 1 8. USB Type-B Cable for Touch x 1 9. User manual (paper) 	<ol style="list-style-type: none"> 1. Power Cord 2. Power Adaptor 3. VGA Cable 4. HDMI Cable 5. DisplayPort Cable 6. DVI Cable 7. USB Cable x 1 8. USB Type-B Cable for Touch x 1 9. User manual (paper) 	

Medical/Industrial Grade Monitor

VUE-2238	VUE-2270	VUE-3215	VUE-3270
23.8" PCAP Touch Panel Mount Monitor	27" PCAP Touch Panel Mount Monitor	21.5" Full HD Touch Monitor	27" Full HD Touch Monitor
Support 10-point touch function (PCAP)	Support 10-point touch function (PCAP)	Support 10-point touch function (PCAP)	Support 10-point touch function (PCAP)
Built-in rich I/O interfaces for diverse video connectivity	Built-in rich I/O interfaces for diverse video connectivity	Built-in rich I/O interfaces for diverse video connectivity	Built-in rich I/O interfaces for diverse video connectivity
Easy to extend peripheral devices	Easy to extend peripheral devices	Easy to extend peripheral devices	Easy to extend peripheral devices
Industrial-grade panel for durable use	Industrial-grade panel for durable use	Industrial-grade panel for durable use	Industrial-grade panel for durable use
Front IP65 water-proof rating	Front IP65 water-proof rating	Front IP65 water-proof rating	Front IP65 water-proof rating
23.8 inch	27 inch	21.5 inch	27.0 inch
1920 x 1080 (FHD)	1920 x 1080 (FHD)	1920 x 1080 (FHD)	1920 x 1080 (FHD)
250 nits	350 nits	300 nits	300 nits
3000:1 (Typ.)	1000:1 (Typ.)	3000:1 (Typ.)	3000:1 (Typ.)
16:9	16:9	16:9	16:9
89° / 89° / 89° / 89°	89° / 89° / 89° / 89°	89° / 89° / 89° / 89°	89° / 89° / 89° / 89°
40,000 (Typ.)	30,000 (Typ.)	30,000 (Typ.)	30,000 (Typ.)
Projected Capacitive Touch (PCAP)	Projected Capacitive Touch (PCAP)	Projected Capacitive Touch (PCAP)	Projected Capacitive Touch (PCAP)
10 points	10 points	10 points	10 points
VGA x 1, HDMI x 1, DVI x 1, DP x 1	VGA x 1, HDMI x 1, DVI x 1, DP x 1	VGA x 1, HDMI x 1, DVI x 1, DP x 1	VGA x 1, HDMI x 1, DVI x 1, DP x 1
Audio in x 1	Audio in x 1	Audio in x 1	Audio in x 1
USB3.0 x 2	USB3.0 x 2	USB3.0 x 2	USB3.0 x 2
Hot key (ON/OFF, LIFT, RIGHT, MENU, AUTO)	Hot key (ON/OFF, LIFT, RIGHT, MENU, AUTO)	Hot key (ON/OFF, LIFT, RIGHT, MENU, AUTO)	Hot key (ON/OFF, LIFT, RIGHT, MENU, AUTO)
DC input, 19V Adaptor	DC input, 19V Adaptor	DC input, 19V Adaptor	DC input, 19V Adaptor
100-240VAc, 50-60Hz, 2.5A	100-240VAc, 50-60Hz, 2.5A	100-240VAc, 50-60Hz, 2.5A	100-240VAc, 50-60Hz, 2.5A
25 W	26.5 W	28 W	28 W
0 ~ 50 °C	0 ~ 50 °C	0 ~ 40 °C	0 ~ 40 °C
10 to 85 %	10 to 85 %	10 to 85 %	10 to 85 %
-30 ~ 70 °C	-20 ~ 60 °C	-30 ~ 70 °C	-30 ~ 70 °C
5 to 80 %	5 to 80 %	5 to 80 %	5 to 80 %
0.8 mm Aluminum, Black	0.8 mm Aluminum, Black	0.8 mm Aluminum, Black/White	0.8 mm Aluminum, Black/White
100 x 100 mm	100 x 100 mm	100 x 100 mm	100 x 100 mm
No	No	Stand x 1	Stand x 1
CE, CB, FCC, UL, CCC, BSMI	CE, CB, FCC, UL, CCC, BSMI	CE, CB, FCC, UL, CCC, BSMI	CE, CB, FCC, UL, CCC, BSMI
2-year (1-year for panel)	2-year (1-year for panel)	2-year (1-year for panel)	2-year (1-year for panel)
1. Power Cord 2. Power Adaptor 3. VGA Cable 4. HDMI Cable 5. DisplayPort Cable 6. DVI Cable 7. USB Cable x 1 8. USB Type-B Cable for Touch x 1 9. User manual (paper)	1. Power Cord 2. Power Adaptor 3. VGA Cable 4. HDMI Cable 5. DisplayPort Cable 6. DVI Cable 7. USB Cable x 1 8. USB Type-B Cable for Touch x 1 9. User manual (paper)	1. Power Cord 2. Power Adaptor 3. VGA Cable 4. HDMI Cable 5. DisplayPort Cable 6. DVI Cable 7. USB Cable x 1 8. USB Type-B Cable for Touch x 1 9. User manual (paper)	1. Power Cord 2. Power Adaptor 3. VGA Cable 4. HDMI Cable 5. DisplayPort Cable 6. DVI Cable 7. USB Cable x 1 8. USB Type-B Cable for Touch x 1 9. User manual (paper)

Features



Rich I/O for Various Application



Easy to Extend Box PC and Peripherals



Modularized Design
Fulfills Flexible Installation



Industrial Grade Touch Panel
Module Ensure Ruggedized
and Endurable Use



Longevity Support for Extending
Product Life, Reducing Re-design
and Re-validation



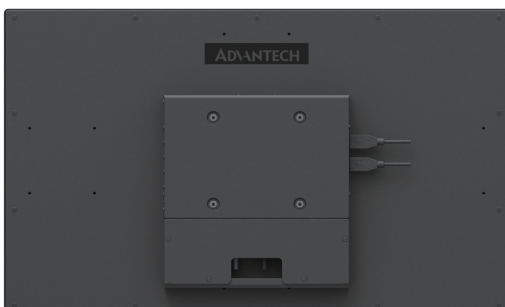
Full-flat and Compact Design with
Water-proof Protection

Unify AD Board for 10.1" – 27"



Modularized Design Fulfills Flexible Installation

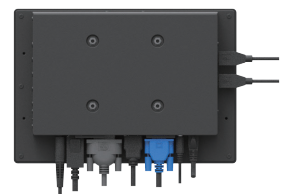
23.8"



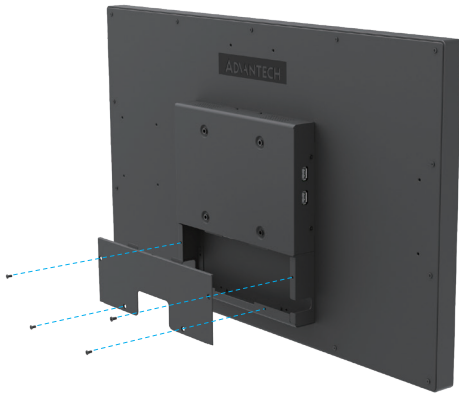
15.6"



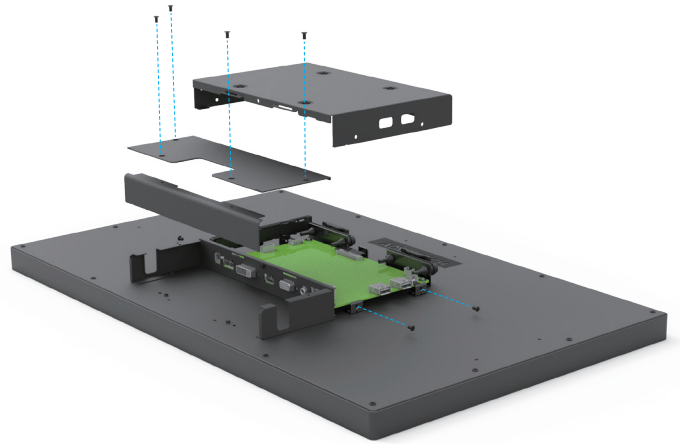
10.1"



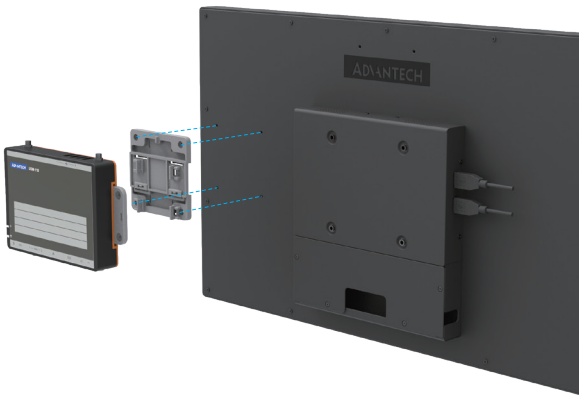
Cable Management Cover for 15.6" – 27" Display



Easily Assembly for Cable Management Cover and Shield Cover



Easy to Extend Box PC and Peripherals



Support Both Landscape and Portrait Cable Management

